

B44 – THE CONVINCING CLASSIC CONNECTION USED MILLIONS OF TIMES OVER

- With lever and clamp versions
- Spar connectors without hole patterns, with standard or individual hole patterns or particularly efficient with the patented caulking technology
- With maximum permitted torque of 600 Nm
- Weight approx. 940 g
- Galvanised zinc-plated surface
- With 100% functional testing

Particularly in its element as a ladder joint:

- For ladder lengths up to 4.7 m in connection with the European norm 131
- As multi-purpose ladders or height-adjustable
- Stepladders and lean-to ladders with or without a telescopic function
- Angle positions: 35°, 105°, 180°
- Locking mechanism due to the wedge

Your connection: perfect locking for your products – the ideal joint.

Do you have special requirements?
Please contact us for details.



B44 – the wedge joint
with clamp release, without hole pattern

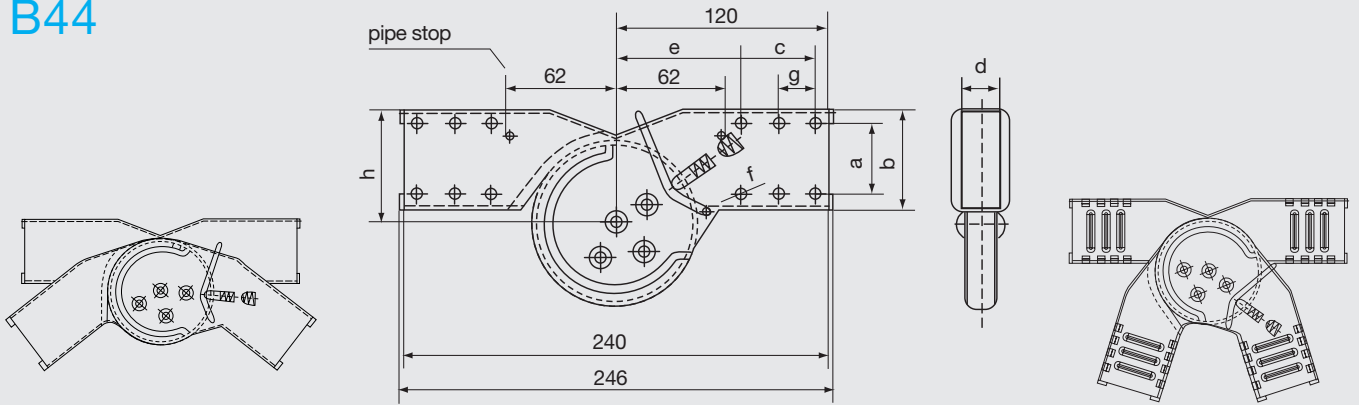


B44 – the wedge joint
with clamp release and patented caulking technology



B44 – the wedge joint
with lever release and hole pattern

B44



B44 without hole pattern, position 105°

B44 with hole pattern, position 180°

B44 with caulking technology, position 35°

Spar connector (mm)	Version	Symbol	Positions	Types (mm), f= hole ø	Article No.
A2 b = 54.8 d = 21.3 h = 61.8	Support		35° 180°	Without hole pattern	00 41 117
	Framework		105° 180°		00 41 137
	180°		180°		00 41 246
	Support with 6 holes		35° 180°	Hole pattern a = 36.0 c = 39.0 e = 74.0 f = 5.2 g = 19.5	00 41 141
	Framework with 6 holes		105° 180°		00 41 146
	180° with 6 holes		180°		00 41 247
	Support		35° 180°	Caulking technology	00 41 153
	Framework		105° 180°		00 41 154
	180°		180°		00 41 155
A3 b = 57.1 d = 21.3 h = 64.1	Support		35° 180°	Without hole pattern	00 41 149
	Framework		105° 180°		00 41 156
	180°		180°		00 41 248
	Support with 4 holes		35° 180°	Hole pattern a = 40.0 c = 42.0 e = 71.0 f = 4.1	00 41 159
	Framework with 4 holes		105° 180°		00 41 164
	180° with 6 holes		180°		00 41 249
	Caulkable moveable support		35° 180°	Caulking technology	00 41 120
	Caulkable support		105° 180°		00 41 121
	180° caulkable		180°		00 41 122

The clamp release is shown. The lever release version has the article number 00 40 XXX. The last three figures determine the joint type.